

THIS COPY IS PROVIDED ON A RESTRICTED BASIS AND IS NOT TO BE USED IN ANY WAY DETRIMENTAL TO THE INTERESTS OF PANDUIT CORP.

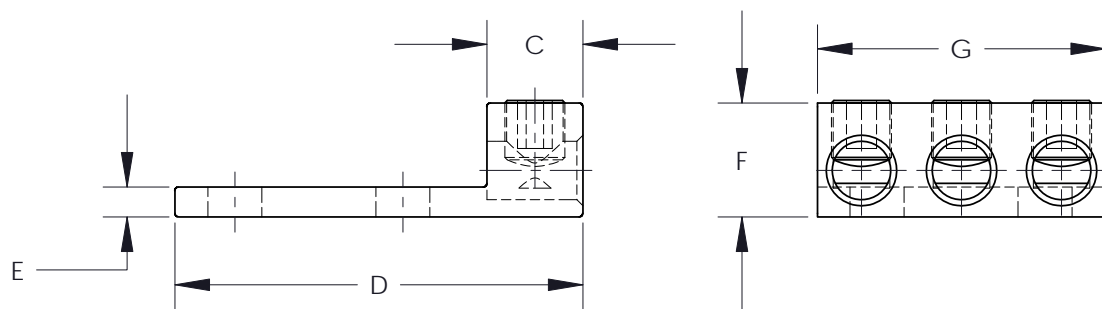
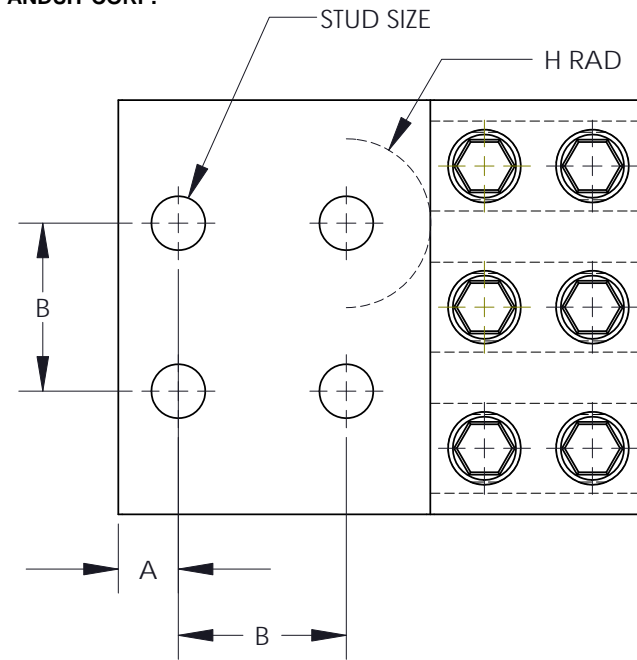
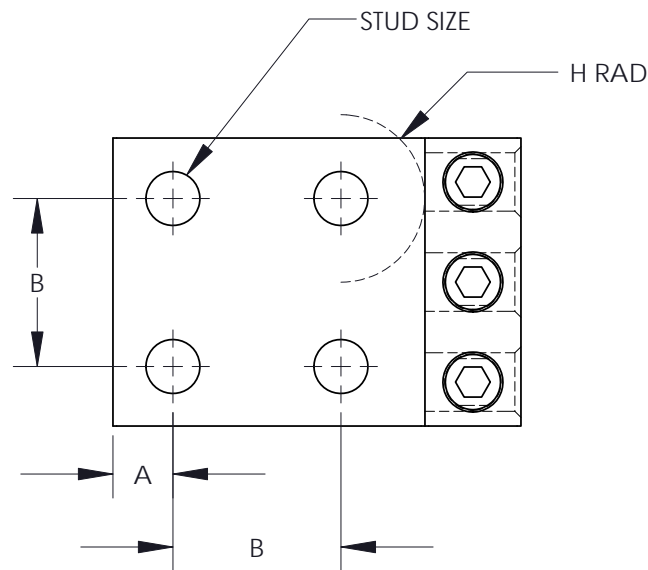


FIGURE 1

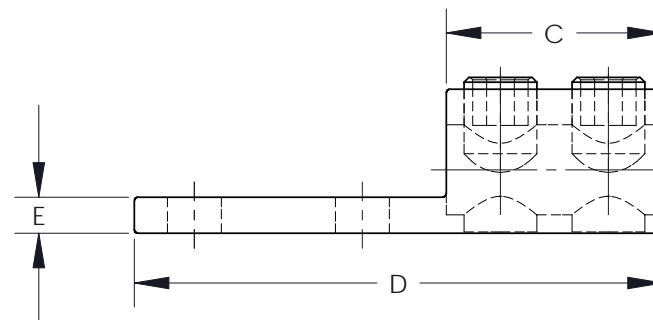


FIGURE 2

NOTES:

1. MATERIAL:  
BODY - ALUMINUM, TIN PLATED  
SCREW - ALUMINUM, TIN PLATED
2. UL LISTED & CSA CERTIFIED FOR USE UP TO 600V & TEMPERATURE RATED 90°C (AL9CU)
3. DUAL RATED FOR USE WITH COPPER OR ALUMINUM STRANDED CODE CONDUCTOR
4. THESE PARTS ARE RoHS COMPLIANT
5. USE OF OXIDE INHIBITING JOINT COMPOUND LIKE PANDUIT CMP-100 RECOMMENDED FOR PAD TO PAD AND CONDUCTOR SURFACES
6. SEE PACKAGING LABEL FOR TIGHTENING TORQUE INFORMATION
7. PKG QTY:  
3 = 3  
1 = 1
8. \*\* DENOTES NEMA HOLE SPACING



△  
D

△  
A

PART NUMBER	FIGURE	STUD SIZE	DIMENSIONS - IN [mm]								WIRE STRIP LENGTH	WIRE RANGE	HEX KEY*
			A	B	C	D	E	F	G	H			
LAM3D3/0-12-3Y	1	1/2	.63 [16.0]	**1.75 [44.5]	1.00 [25.4]	4.25 [108.0]	.31 [7.9]	1.19 [30.2]	2.81 [71.4]	.88 [22.4]	1.00 [25.4]	3/0-6 AWG	1/4
LAM3D250-12-1Y	1	1/2	.63 [16.0]	**1.75 [44.5]	1.00 [25.4]	4.25 [108.0]	.31 [7.9]	1.19 [30.2]	3.00 [76.2]	.88 [22.4]	1.00 [25.4]	250kcmil - 6 AWG	5/16
LAM3D350-12-1Y	1	1/2	.63 [16.0]	**1.75 [44.5]	1.25 [31.8]	4.50 [114.3]	.31 [7.9]	1.38 [35.1]	3.50 [88.9]	.88 [22.4]	1.25 [31.8]	350kcmil - 6 AWG	5/16
LAM3LD600-12-1	2	1/2	.63 [16.0]	**1.75 [44.5]	2.25 [57.2]	5.50 [139.7]	.38 [9.7]	1.50 [38.1]	4.32 [109.7]	.88 [22.4]	2.25 [57.2]	600kcmil - 2 AWG	3/8
LAM3LD1000-12-1Y	2	1/2	.63 [16.0]	**1.75 [44.5]	2.75 [69.9]	6.19 [157.1]	.56 [14.3]	1.88 [47.8]	5.27 [133.9]	1.07 [27.2]	2.75 [69.9]	1000-500 kcmil	1/2

\* HEX SIZE MAY DIFFER FROM CHART. DIFFERENCE IN SIZE WILL NOT AFFECT FIT, FORM, OR FUNCTION OF PART

05	8/10	JHNU	JHNU	D. REVISED DIMENSIONS FOR LAM3D3/0-12-3Y, LAM3D250-12-1Y, & LAM3D350-12-1Y C. REMOVED LAM3D600-12-1Y, ADDED LAM3LD600-12-1 B. REMOVED LAM3LD800-12-1Y, ADDED LAM3LD1000-12-1 A. REMOVED TIGHTENING TORQUE & WEIGHT COLUMN	N41562BC-C41562	FLD	FLD	<b>PANDUIT CORP. TINLEY PARK, ILLINOIS</b> LAM3D, LAM3LD SERIES ALUMINUM MECHANICAL LUGS CUSTOMER DRAWING			
04	1/10	JHNU	JHNU	REVISED PART NUMBER: LAM3LD1000-121Y WAS LAM3LD1000-12-1Y							
03	12/09	JHNU	JHNU	REVISED TORQUE & HEX KEY FOR LAM3LD1000-12-1Y CONVERTED DWG TO SOLIDWORKS				UNLESS OTHERWISE SPECIFIED DIMENSIONAL TOLERANCES ARE: (.X) ± (.XXX) ± (.XX) ± ANGLES ±	UNLESS OTHERWISE SPECIFIED, ALL DIMENSIONS ARE GIVEN IN INCHES, THIRD ANGLE PROJECTION		
02	1/07	JHNU	JHNU	ADDED PART WEIGHT COLUMN TO TABLE, REMOVED LAM3D2-14-6Y & LAM3D1/0-38-6Y							
01	3/06	JHNU	LEM	REVISED RoHS NOTE				DRAWN BY JHNU	MAT'L:	SCALE NONE	
00	2/06	JHNU	LEM	DRAWING RELEASED - RoHS COMPLIANT				DATE 2/06		DRAWING NO / CAD FILE C41562_05	DWG B SIZE
REV	DATE	BY	CHK	DESCRIPTION	ECN	-R	SUP	CHK'D			